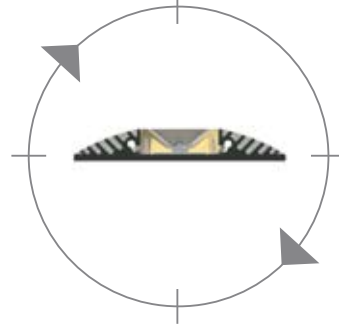


■ **MICROLUX (SI3_2-1)**

- Super bright Power LEDs
- Low energy consumption
- Multi-Voltage (10V - 32V)
- Ultra slim profile
- IP67 rating

Internal View



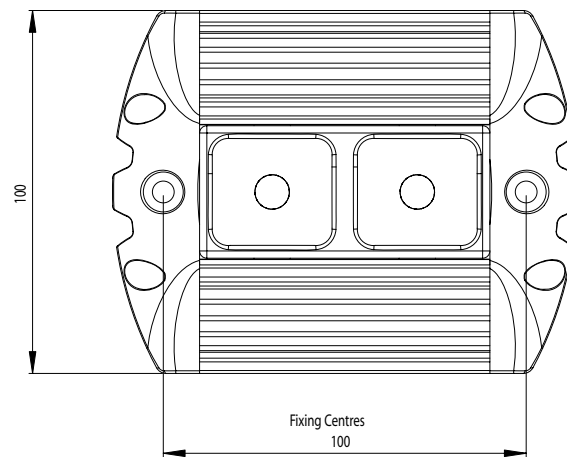
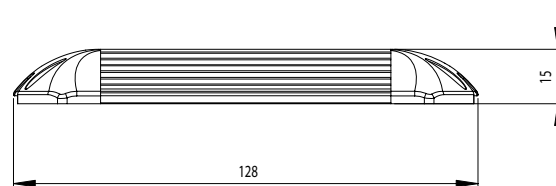
Available from:

|| See technical specifications overleaf >>>

MICROLUX (SI3_2-1)



The MICROLUX has been designed with both affordability and application in mind without having to compromise on the quality of LEDs used – the MICROLUX also utilises the latest in LED technology. The MICROLUX utilises 2 x 1.25 watt high powered LEDs, with a 90 degree viewing angle, which has been designed to maximise the light output from this compact device. The MICROLUX excels in a van environment due to its price tag and performance, but is also effective in larger vehicles depending on the light performance requirements. With more than 50,000 hours of life* and multi-voltage as standard, this is the ultimate in bright low cost LED solutions.



MICROLUX
(SI3_2-1)

SPECIFICATION

ALL DIMENSIONS HAVE A TOLERANCE OF +/- 1mm

Model No	SI3_2-1MW	
Supply Voltage	Vdc	12/24
Voltage Range	Vdc	10 to 32
Average Current	A	12V = 0.22A 24V = 0.12A
Lumens		200
Tube/Bulb/LEDs	W	2 x 1.25W
Weight	Kg	0.165
Temp. Range	°C	-30 to +40

*LED life is directly related to the running temperature within the LED. This product has been designed using the LED manufacturer's data to achieve 50,000 hours assuming an ambient temperature of 25°C. At this point light output may have decreased by 20%

E & OE